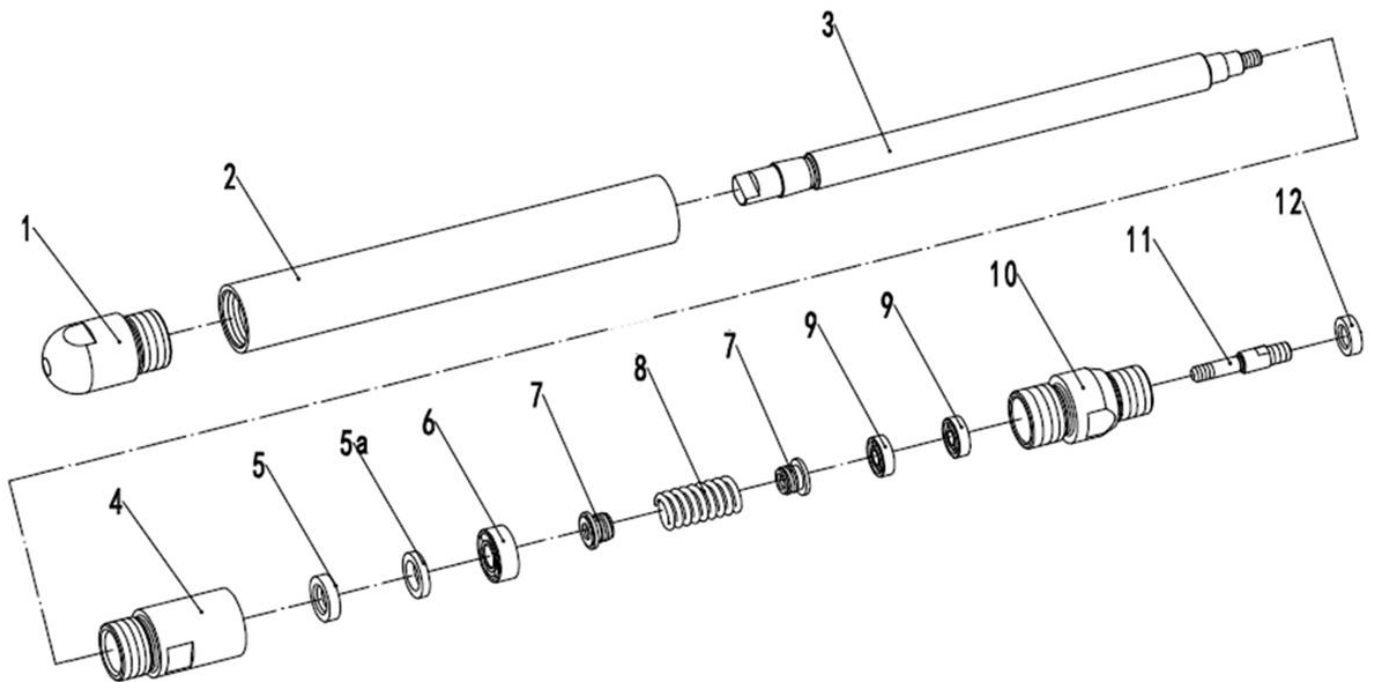




SPARE PARTS MANUAL

FLX CONCRETE VIBRATORS FVP SERIES
FVP30 - FVP40/R - FVP50/R - FVP60/R

181217



Applies to product from Serial Number D04-10000

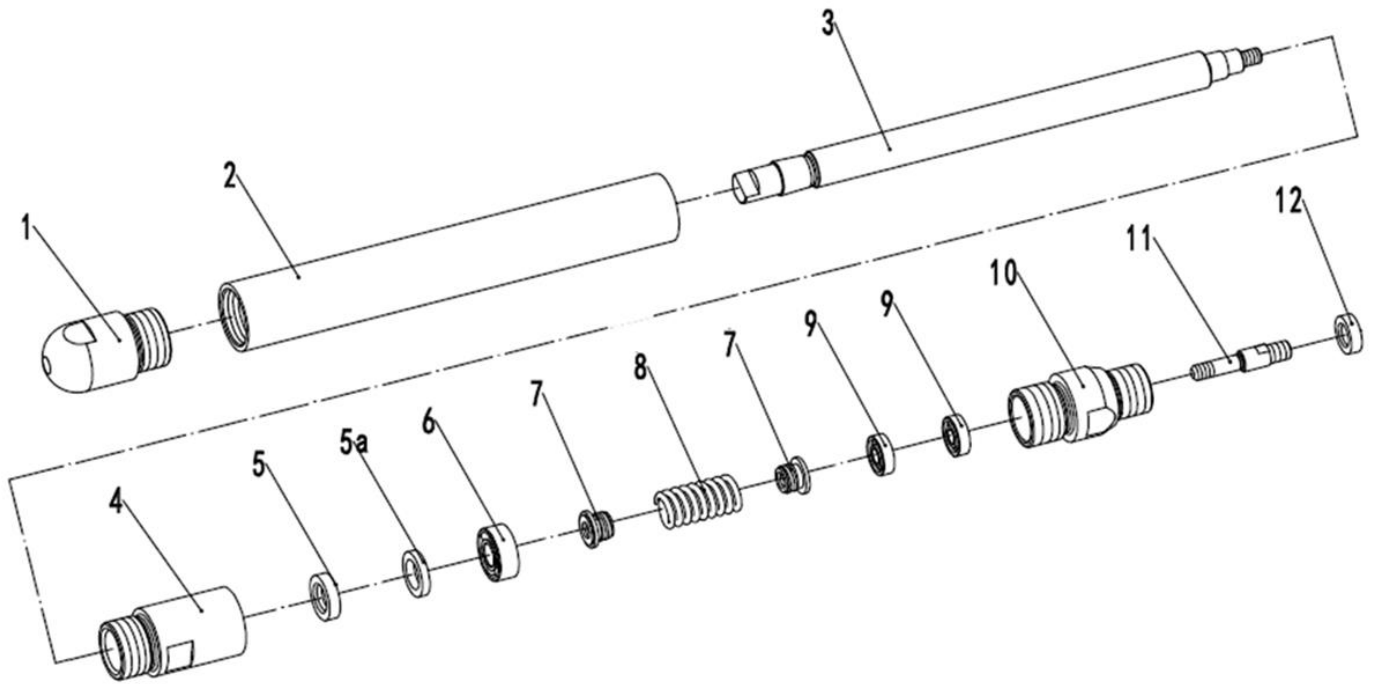
1300 353 986
www.flextool.com.au



Flextool[®]

SINCE 1951

Parchem Construction Supplies Pty Ltd
7 Lucca Road, Wyong NSW AUS 2259



Vibrating Barrel (All Types)

Item No.	Product Code	Description	Qty	Remarks
1	NPS01549-UNIT	FLX NOSE CAP FVP30 – STEEL (310101)	1	
	NPS01550-UNIT	FLX NOSE CAP FVP40 – STEEL (320101)	1	
	NPS01551-UNIT	FLX NOSE CAP FVP50 – STEEL (360101)	1	
	NPS01552-UNIT	FLX NOSE CAP FVP60 – STEEL (380101)	1	
	NPS01553-UNIT	FLX NOSE CAP FVP40R – RUBBER (320113)	1	
	NPS01554-UNIT	FLX NOSE CAP FVP50R – RUBBER (360114)	1	
	NPS01555-UNIT	FLX NOSE CAP FVP60R – RUBBER (380106)	1	
2	See Remarks	FLX BARREL CASE FVP30 (310103)	1	Use AS-1
		FLX BARREL CASE FVP40/R (320103)	1	Use AS-2
		FLX BARREL CASE FVP50/R (360103)	1	Use AS-3
		FLX BARREL CASE FVP60/R (380103)	1	Use AS-4
3	See Remarks	FLX ROTOR FVP30 (310102)	1	Use AS-1
		FLX ROTOR FVP40/R (320102)	1	Use AS-2
		FLX ROTOR FVP50/R (360102)	1	Use AS-3
		FLX ROTOR FVP60/R (380102)	1	Use AS-4
4	See Remarks	FLX BEARING HOUSING FVP40/R (320104)	1	Use AS-2
		FLX BEARING HOUSING FVP50/R (360104)	1	Use AS-3
		FLX BEARING HOUSING FVP60/R (380104)	1	Use AS-4
5	See Remarks	FLX OIL SEAL FVP30 (530401)	1	Use SK-1
		FLX OIL SEAL FVP40/R (530402)	1	Use SK-2
		FLX OIL SEAL FVP50/R (530404)	1	Use SK-3
		FLX OIL SEAL FVP60/R (530405)	1	Use SK-4
5A	See Remarks	FLX SPACER FVP30 (310104)	1	Use SK-1
6	See Remarks	FLX BEARING FVP30 (550201)	1	Use SK-1
		FLX BEARING FVP40/R (550205)	1	Use SK-2
		FLX BEARING FVP50/R (550207)	1	Use SK-3
		FLX BEARING FVP60/R (550208)	1	Use SK-4
7	See Remarks	FLX SPRING END FVP30 (300111)	2	Use SK-1
		FLX SPRING END FVP40/R (340111)	2	Use SK-2
		FLX SPRING END FVP50/R (360111)	2	Use SK-3
		FLX SPRING END FVP60/R (380111)	2	Use SK-4
8	See Remarks	FLX SPRING FVP30 (300112)	1	Use SK-1
		FLX SPRING FVP40/R (320112)	1	Use SK-2
		FLX SPRING FVP50/R (360112)	1	Use SK-3
		FLX SPRING FVP60/R (380112)	1	Use SK-4

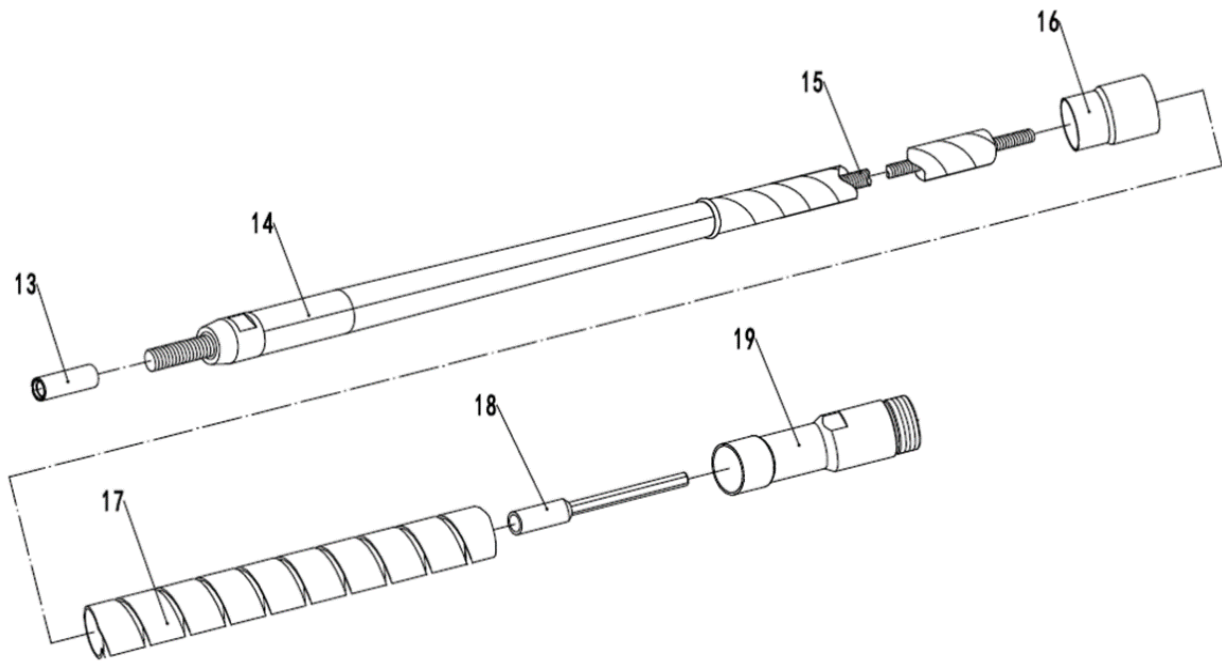
Vibrating Barrel (All Types)

9	See Remarks	FLX BEARING FVP30 (550508)	2	Use SK-1
		FLX BEARING FVP40/R (550506)	2	Use SK-2
		FLX BEARING FVP50/R (550507)	2	Use SK-3
		FLX BEARING FVP60/R (550507)	2	Use SK-4
10	See Remarks	FLX SPRING HOUSING FVP30 (310105)	1	Use AS-1
		FLX SPRING HOUSING FVP40/R (320105)	1	Use AS-2
		FLX SPRING HOUSING FVP50/R (360105)	1	Use AS-3
		FLX SPRING HOUSING FVP60/R (380105)	1	Use AS-4
11	See Remarks	FLX TRANS SHAFT FVP30 (310106)	1	Use SK-1
		FLX TRANS SHAFT FVP40/R (340106)	1	Use SK-2
		FLX TRANS SHAFT FVP50/R (360106)	1	Use SK-3
		FLX TRANS SHAFT FVP60/R (360106)	1	Use SK-4
12	See Remarks	FLX OIL SEAL FVP30 (530110)	1	Use SK-1
		FLX OIL SEAL FVP40/R (530101)	1	Use SK-2
		FLX OIL SEAL FVP50/R (530109)	1	Use SK-3
		FLX OIL SEAL FVP60/R (530109)	1	Use SK-4

Vibrating Barrel (All Types) Assembly / Service Kits

Item No.	Product Code	Description	Qty	Remarks
AS-1	NPS01556-UNIT	FLX ASSY VIBRATING HEAD FVP30 – STEEL TIP (310300)	1	Inc Items: 1-12
AS-2	NPS01557-UNIT	FLX ASSY VIBRATING HEAD FVP40 – STEEL TIP (320300)	1	Inc Items: 1-12
	NPS01558-UNIT	FLX ASSY VIBRATING HEAD FVP40R – RUBBER TIP (320300R)	1	Inc Items: 1-12
AS-3	NPS01559-UNIT	FLX ASSY VIBRATING HEAD FVP50 – STEEL TIP (360300)	1	Inc Items: 1-12
	NPS01560-UNIT	FLX ASSY VIBRATING HEAD FVP50R – RUBBER TIP (360300R)	1	Inc Items: 1-12
AS-4	NPS01561-UNIT	FLX ASSY VIBRATING HEAD FVP60 – STEEL TIP (380300)	1	Inc Items: 1-12
	NPS01562-UNIT	FLX ASSY VIBRATING HEAD FVP60R – RUBBER TIP (380300R)	1	Inc Items: 1-12

SK-1	NPS01563-UNIT	FLX SERVICE KIT CONC VIBE FVP30 (310300SK)	1	Inc Items: 5-9, 11-12
SK-2	NPS01564-UNIT	FLX SERVICE KIT CONC VIBE FVP40/R (320300SK)	1	Inc Items: 5-9, 11-12
SK-3	NPS01565-UNIT	FLX SERVICE KIT CONC VIBE FVP50/R (360300SK)	1	Inc Items: 5-9, 11-12
SK-4	NPS01566-UNIT	FLX SERVICE KIT CONC VIBE FVP60/R (380300SK)	1	Inc Items: 5-9, 11-12

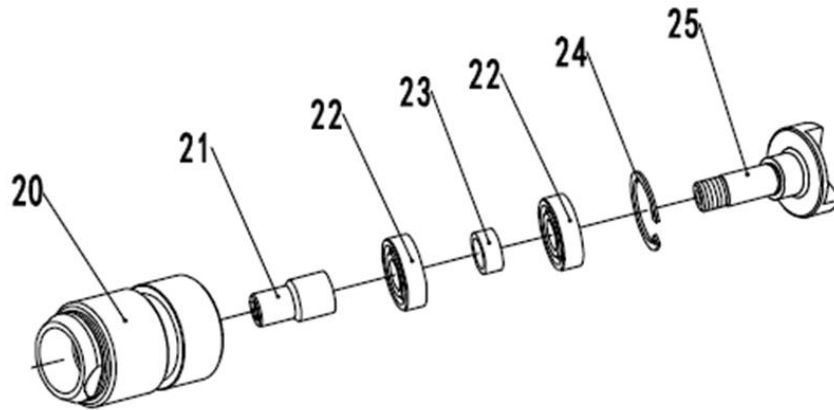


Flexshaft Assy (All Types)

Item No.	Product Code	Description	Qty	Remarks
13	See Remarks	FLX CORE END FVP30 (001210)	1	Use AS-5
		FLX CORE END FVP40/R, FVP50/R, FVP60/R (340201)	1	Use AS-6 or AS-7
14	See Remarks	FLX FLEX CASING 6M FVP30 (310320)	1	Use AS-8
		FLX FLEX CASING 6M FVP40/R (340115)	1	Use AS-9
		FLX FLEX CASING 6M FVP50/R, FVP60/R (360109)	1	Use AS-10
		FLX FLEX CASING 9M FVP40/R (340116)	1	Use AS-11
		FLX FLEX CASING 9M FVP50/R, FVP60/R (360113)	1	Use AS-12
15	See Remarks	FLX FLEX CORE 6M FVP30 (810103)	1	Use AS-5
		FLX FLEX CORE 6M FVP40/R, FVP50/R, FVP60/R (810134)	1	Use AS-6
		FLX FLEX CORE 9M FVP40/R, FVP50/R, FVP60/R (810147)	1	Use AS-7
16	See Remarks	FLX SLEEVE FVP30 (310303)	1	Use AS-8
		FLX SLEEVE FVP40/R, FVP50/R, FVP60/R (340303)	1	Use AS-9, AS-10, AS-11 or AS-12
17	See Remarks	FLX OUTER SPRING FVP30 (310302)	1	Use AS-8
		FLX OUTER SPRING FVP40/R, FVP50/R, FVP60/R (340302)	1	Use AS-9, AS-10, AS-11 or AS-12
18	See Remarks	FLX CORE END SLIDE FVP30 (009210)	1	Use AS-5
		FLX CORE END SLIDE FVP40/R, FVP50/R, FVP60/R (340204)	1	Use AS-6 or AS-7
19	See Remarks	FLX FERRULE FVP30 (310315)	1	Use AS-8
		FLX FERRULE FVP40/R, FVP50/R, FVP60/R (340315)	1	Use AS-9, AS-10, AS-11 or AS-12

Flexshaft Assy (All Types) Assembly / Service Kit

Item No.	Product Code	Description	Qty	Remarks
AS-5	NPS01567-UNIT	FLX ASSY INNER CORE 6M FVP30 (310836Z)	1	Inc Items: 13, 15, 18
AS-6	NPS01568-UNIT	FLX ASSY INNER CORE 6M FVP40/R, FVP50/R, FVP60/R (340836Z)	1	Inc Items: 13, 15, 18
AS-7	NPS01569-UNIT	FLX ASSY INNER CORE 9M FVP40/R, FVP50/R, FVP60/R (340839Z)	1	Inc Items: 13, 15, 18
AS-8	NPS01570-UNIT	FLX ASSY OUTER CASING 6M FVP30 (310836GF)	1	Inc Items: 14, 16, 17, 19
AS-9	NPS01571-UNIT	FLX ASSY OUTER CASING 6M FVP40/R (340836GF)	1	Inc Items: 14, 16, 17, 19
AS-10	NPS01572-UNIT	FLX ASSY OUTER CASING 6M FVP50/R, FVP60/R (360836GF)	1	Inc Items: 14, 16, 17, 19
AS-11	NPS01573-UNIT	FLX ASSY OUTER CASING 9M FVP40/R (340839GF)	1	Inc Items: 14, 16, 17, 19
AS-12	NPS01574-UNIT	FLX ASSY OUTER CASING 9M VP50/R, VP60/R (360839GF)	1	Inc Items: 14, 16, 17, 19



Coupling (All Types)

Item No.	Product Code	Description	Qty	Remarks
20	See Remarks	FLX BEARING HOUSING (360421)	1	Use AS-11
21	See Remarks	FLX HEX ADAPTOR (046310)	1	Use SK-5
22	See Remarks	FLX BEARING (550102)	2	Use SK-5
23	See Remarks	FLX SPACER (046330)	1	Use SK-5
24	See Remarks	FLX CIRCLIP (670105)	1	Use SK-5
25	See Remarks	FLX SPINDLE 3-TEETH (360422)	1	Use AS-11

Coupling (All Types) Assembly / Service Kits

Item No.	Product Code	Description	Qty	Remarks
AS-11	NPS01575-UNIT	FLX COUPLING ASSY (360420)	1	Inc Items: 20-25
SK-5	NPS01576-UNIT	FLX SERVICE KIT COUPLING ASSY(360420SK)	1	Inc Items: 21-24