

PARTS LIST

HONDA ENGINE GX120UT2-SM12

FOR MIKASA PRODUCTS

WITH PRODUCT NAME

VIBRATING PLATE COMPACTOR

MVC-50GBH

:EXPORT

MVC-F60H

:EXPORT

BLOCK PLATE COMPACTOR

MVB-85H

:EXPORT

HYDRAURIC REVERSIBLE COMPACTOR

MVH-R60

:EXPORT

PARTS REMARK INDEX

How to read the marks and remarks used in this parts book.

Section 1 : Explanation of Code Use In “MRK” Column

OO : Interchangeable between the new part and the old one.

XX : Not Interchangeable between new and old.

OX : New part is usable for the old machine but the old part is not usable for the new machine.

XO : The old part is usable for the new machine but the new part is not usable for the old machine.

Note : In case of the lack of interchangeability between the new part and old part, a new part may be used by replacing all other parts found in the assembly. In this case, refer to section 2 for instruction on identifying other parts involved in a new assembly.

AD : Newly established(added)

DC : Suspended(discontinued)

NC : Part number changed

QC : Quantity used has been changed

NS : Not supplied individually but supplied in an assembly or a group.

AS : Special part designed to allow interchangeability between new and old part.

CR : Correction

Section 2 : Items Found In “Remark” Column

Serial Numbers - Where indicated, this indicates a serial number range (inclusive) where a particular part is used.

Model Number - Where indicated, this shows that the corresponding part is utilized only with this specific model number or model number variant.

or * : All parts with the same number following # or * belong to the same assembly. this part cannot be interchanged individually with any other assemblies to replace an old part (indicated by #), with a new part(indicated by *), then all other parts of that assembly must be replaced with new ones.

Note : If more than one of the same reference number is listed, the last one listed indicates newest(or latest)part available.

Section 3: Example

REF NO.	PART NO.	PART NAME	QTY	MRK	REMARKS
457(1)	5122-09230	Hinge Metal, Upper/24g	1		-1070 #3 (5)
457(2)	5072-09420	Hinge Metal, Upper M16	1	OX(3)	U1071-(6) * 3(7)

(1) Old part

(2) New part

(3) New part usable with old machine, but old part not usable with new machine (reference section 1).

(4) Old part number is used through this machine serial number.

(5) Old part, used in an assembly with other parts marked with #3. To use this part on a new machine, all other parts in this assembly must be replaced with old ones.

(6) New part put into use starting with this serial number and is still current.

(7) New part used in an assembly with other parts marked * 3, to use this part as a replacement for an old part, all other * 3 marked parts must be changed at the same time.

Section 4: Items Found In “MK2” Column

(only for suspended products)

! OO (“OO” is shown in figure) : The part shown in lower line is supplied.

! SD : Not available due to termination of production.

! NS : Not supplied individually, but supplied in an assembly or a group.

! PD : Supplied as unit product.

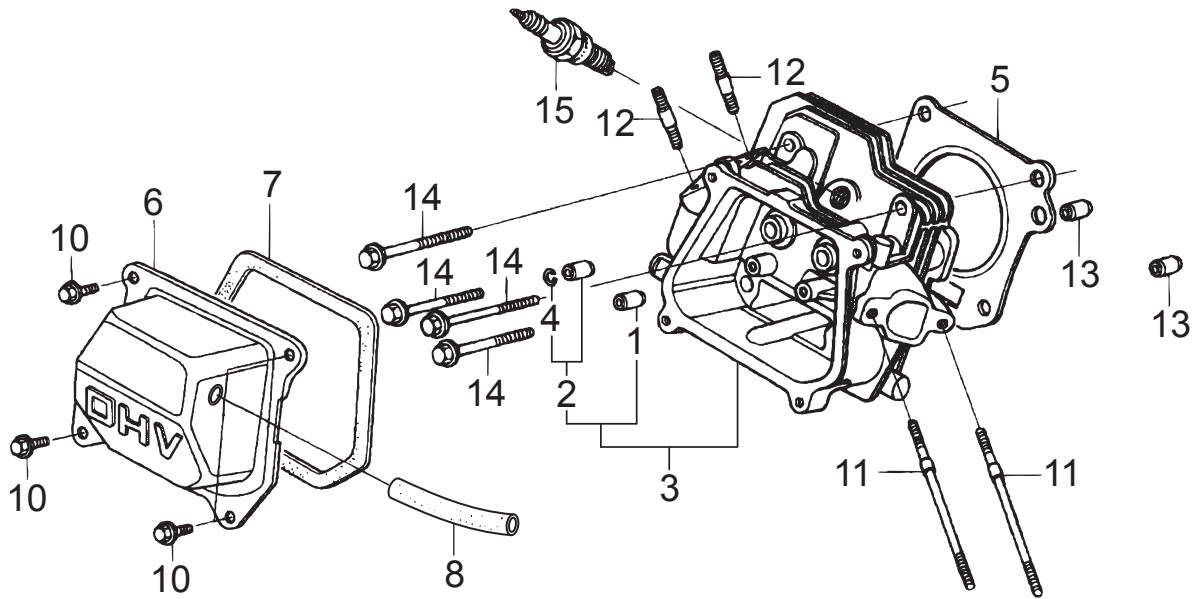
SS : Not available after stock run out.

(The contents of this parts catalog are subject to change without notice.)

GX120UT2-SM12

CYLINDER HEAD

BPR0



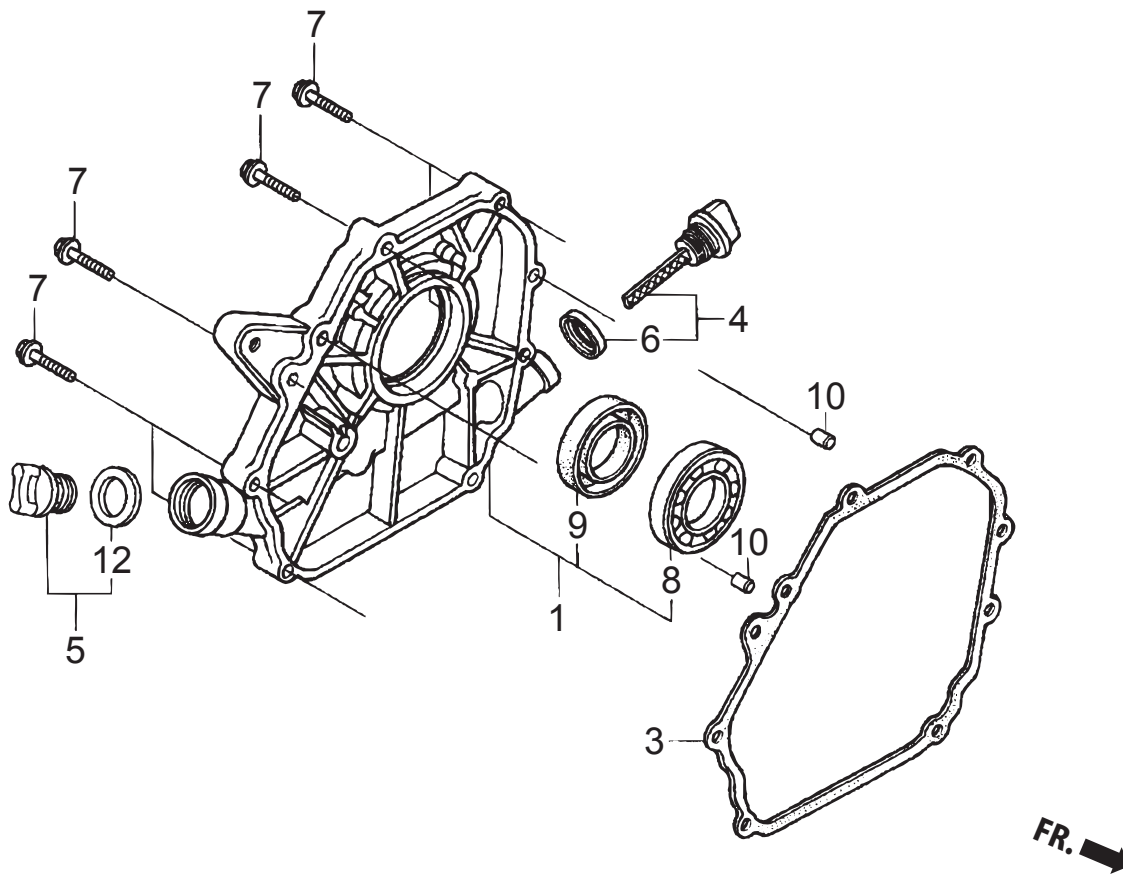
FR. →

REF NO.	PART NO.	PART NAME	Q' TY	MRK	MK2	REMARKS
1	12204-ZE1-306	GUIDE, INLET VALVE(O. S.)	1			
2	12205-ZE1-315	GUIDE, EXHAUST VALVE(O. S.)	1			
3	12210-ZH7-415	HEAD CP, CYLINDER/GX120	1			
4	12216-ZE5-300	CLIP, VALVE GUIDE	1			
5	12251-Z0S-801	GASKET, CYLINDER HEAD	1			
6	12310-Z4M-000	COVER CP, HEAD/GX200T2	1			
7	12391-ZE1-000	PACKING, HEAD COVER	1			
8	15721-ZH8-000	TUBE, BREATHER	1			
10	90013-883-000	FLANGE BOLT 6X12	4			
11	90043-Z4M-000	BOLT, STUD 6X114	2			
12	90047-ZE1-000	STUD BOLT 8X32	2			
13	94301-10160	KNOCK PIN 10X16	2			
14	95701-0805500	BOLT, FLANGE, 8X55 /GX620	4			
15	065-01404-80	SPARK PLUG EY45V	1			

GX120UT2-SM12

CRANKCASE COVER

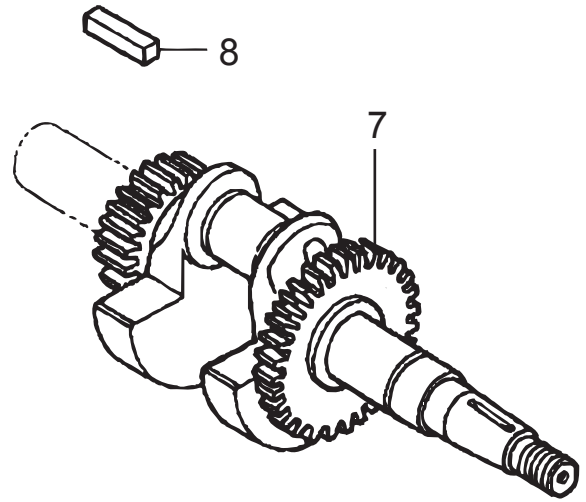
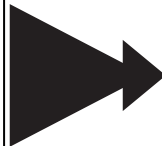
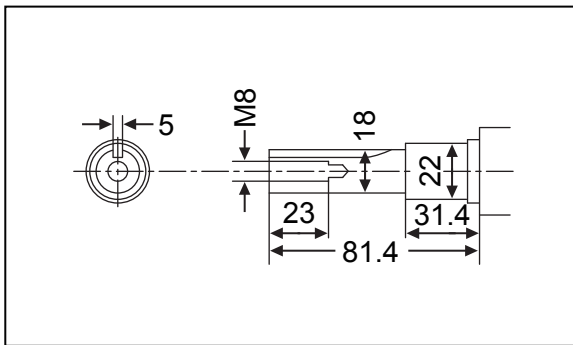
BPV0



REF NO.	PART NO.	PART NAME	Q' TY	MRK	MK2	REMARKS
1	11300-ZE0-634	COVER ASSY., CRANKCASE	1			
3	11381-ZH7-800	GASKET, CRANK CASE	1			
4	15600-ZOT-810	CAP AY OIL FILLER	1			
5	15600-ZOT-820	CAP ASSY OIL FILLER	1			
6	15625-ZOT-800	PACKING, OIL FILLER CAP	1			
7	90015-883-000	FLANGE BOLT 6X28	7			
8	91001-878-003	BALL BEARING 62/22	1			
9	91203-ZE0-013	OIL SEAL 22X41X6 /GX120	1			
10	94301-08140	KNOCK PIN 8X14	2			
12	15625-ZOT-800	PACKING, OIL FILLER CAP	1			

GX120UT2-SM12
CRANKSHAFT

BPW0



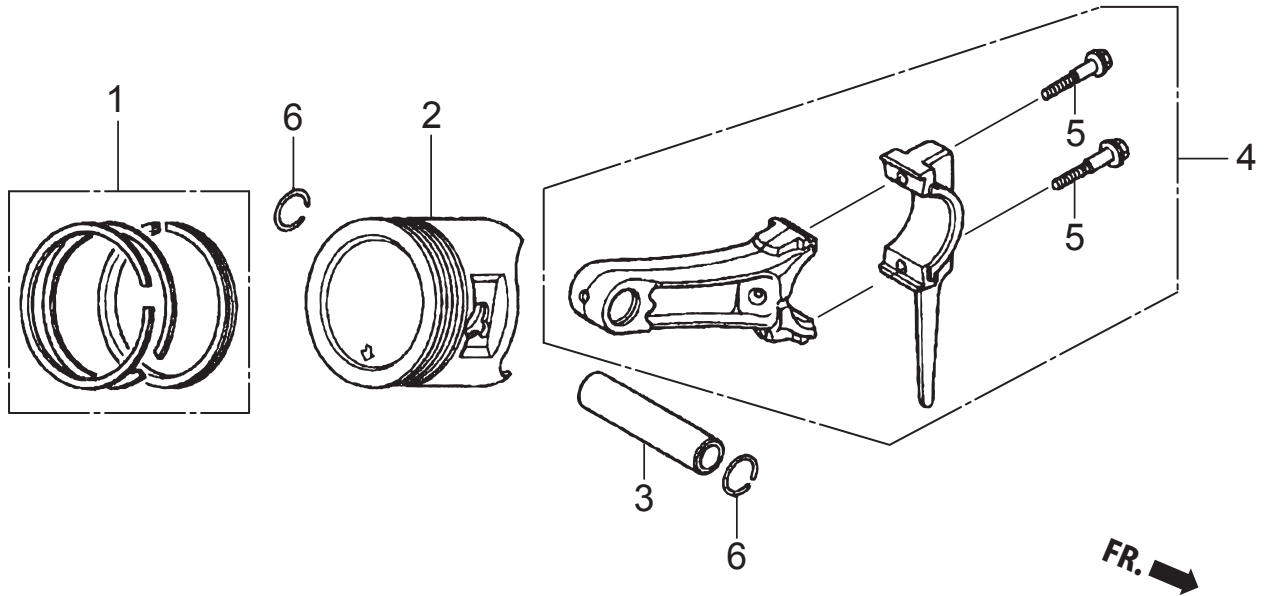
FR. →

REF NO.	PART NO.	PART NAME	Q' TY	MRK	MK2	REMARKS
7	13310-Z0S-880	CRANKSHAFT COMP/GX120UT2	1			
8	90741-883-810	KEY 5X5X33	1			

GX120UT2-SM12

BPX0

PISTON

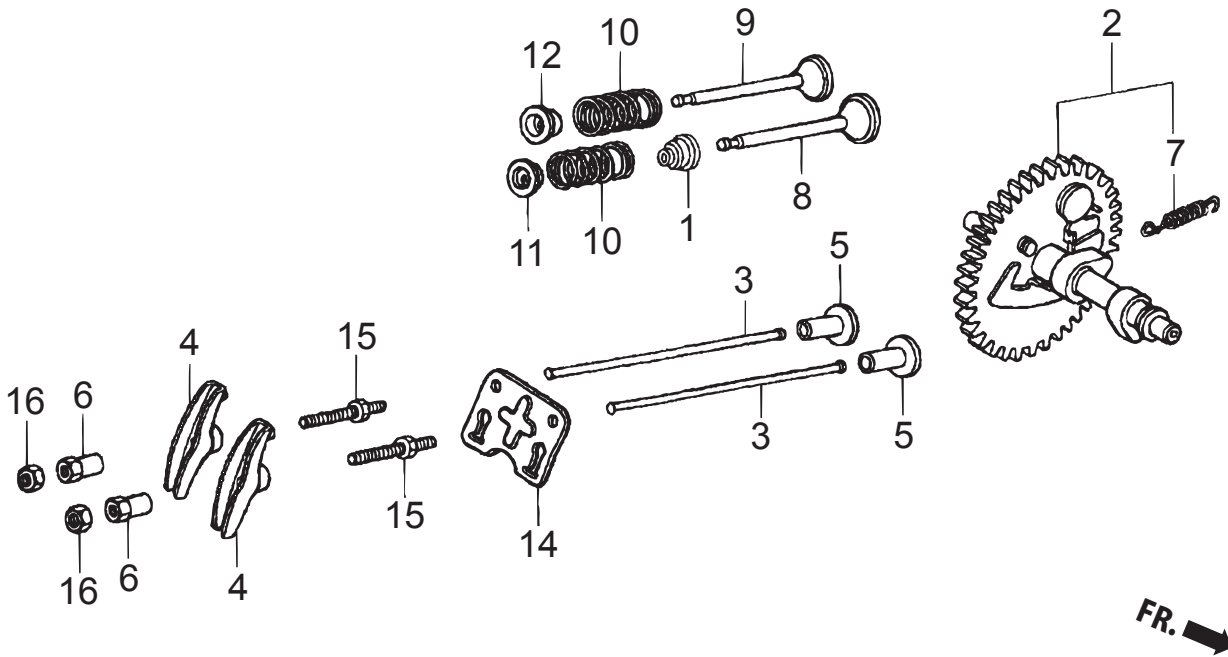


REF NO.	PART NO.	PART NAME	Q' TY	MRK	MK2	REMARKS
1	13010-Z4F-004	RING SET (STD/GX-120U1	1			
1	13011-Z4F-004	RING SET (0. 25/GX120U1	1			
1	13012-Z4F-004	RING SET (0. 50/GX120U1	1			
1	13013-Z4F-004	RING SET (0. 75/GX120U1	1			
2	13101-ZH7-020	PISTON (STD/GX120U1	1			
2	13102-ZH7-020	PISTON (0. 25/GX120U1	1			
2	13103-ZH7-020	PISTON (0. 50/GX120U1	1			
2	13104-ZH7-020	PISTON (0. 75/GX120U1	1			
3	13111-ZE0-000	PISTON PIN	1			
4	13200-Z0S-800	ROD ASSY, CONNECTING/GX	1			
5	90001-ZE1-000	CONNECTING ROD BOLT	2			
6	90551-ZE0-000	CLIP, PISTON PIN 13MM	2			

GX120UT2-SM12

CAMSHAFT

BPY0

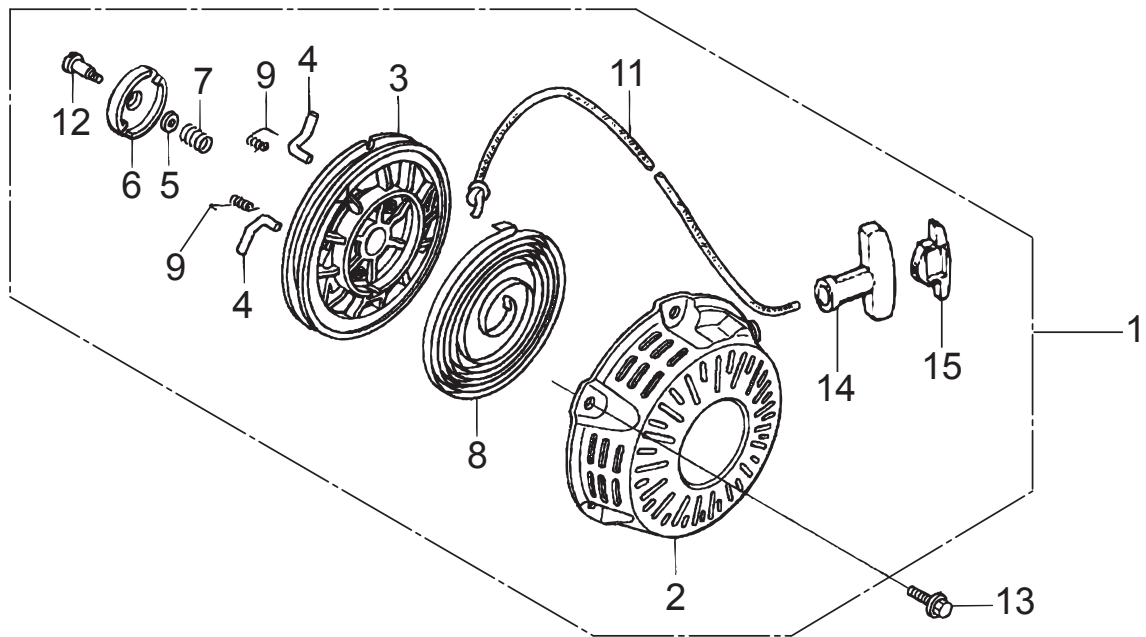


REF NO.	PART NO.	PART NAME	Q' TY	MRK	MK2	REMARKS
1	12209-Z4M-801	SEAL, VALVE STEM/GX200T2	1			
2	14100-ZE0-812	CAM SHAFT ASSY.	1			
3	14410-ZE0-010	PUSH ROD	2			
4	14431-ZE1-000	ARM, VALVE ROCKER	2			
5	14441-ZE1-010	VALVE LIFTER	2			
6	14451-ZE1-013	PIBOT, ROCKER ARM	2			
7	14568-ZE1-000	SPRING, WEIGHT RETURN	1			
8	14711-Z4H-000	VALVE, IN/GX120UT2	1			
9	14721-Z4H-000	VALVE, EX/GX120UT2	1			
10	14751-ZF1-000	SPRING, VALVE	2			
11	14771-ZE1-000	RETAINER, INTAKE VALVE	1			
12	14771-ZE1-000	RETAINER, INTAKE VALVE	1			
14	14791-ZE0-010	PLATE, PUSH ROD GUIDE	1			
15	90012-ZE0-010	BOLT, PIVOT, 8MM/GX160	2			
16	90206-ZE1-000	NUT, PIBOT ADJUSTING	2			

GX120UT2-SM12

RECOIL STARTER

BPK0

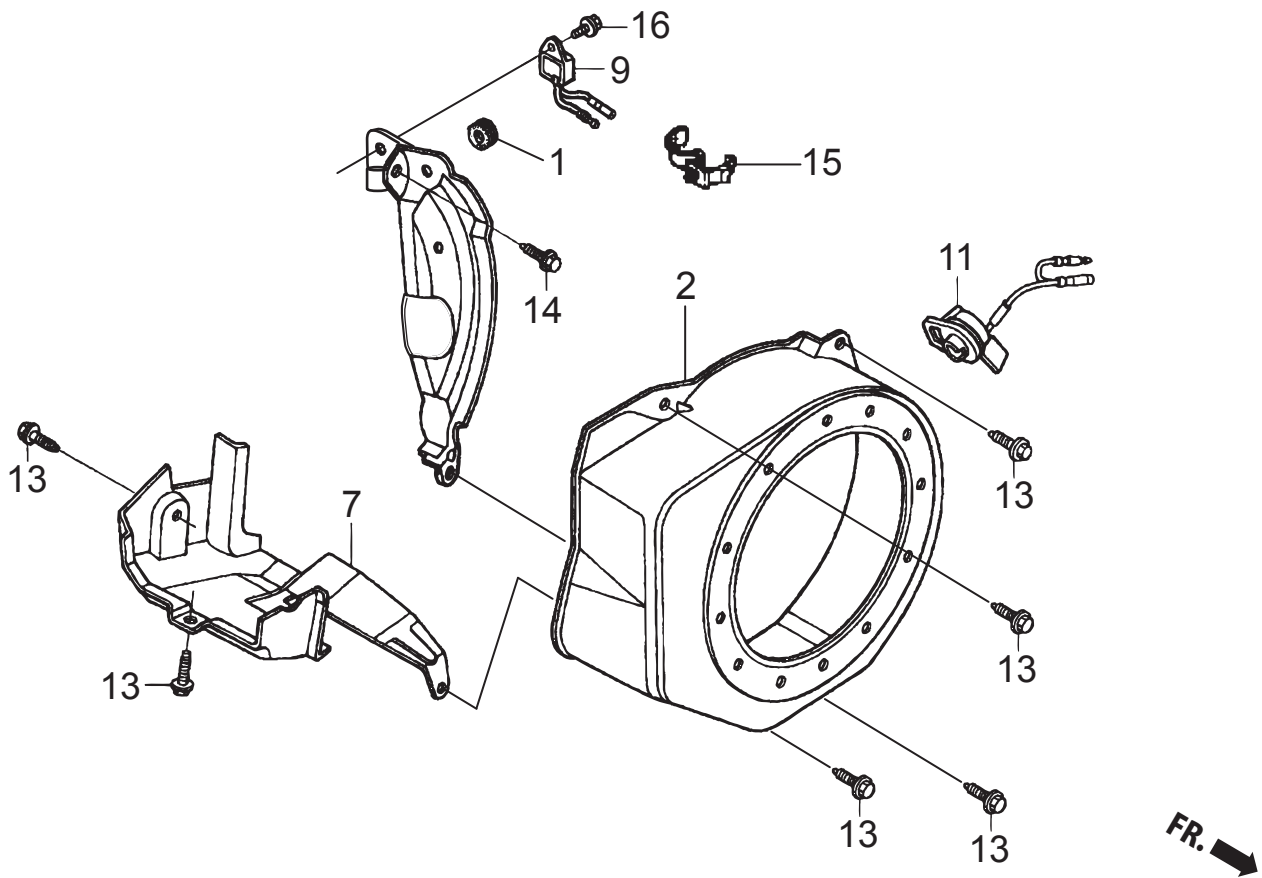


REF NO.	PART NO.	PART NAME	Q' TY	MRK	MK2	REMARKS
1	28400Z4M305ZD	STARTER AY, RECOIL/160UT2	1			
2	28410Z4M003ZD	CASE CP, R-STARTER/160UT2	1			
3	28421-Z0T-003	REEL, RECOIL STARTER	1			
4	28422-ZH8-801	RATCHET, STARTER	2			
5	28431-ZH8-801	PLATE, FRICTION	1			
6	28433-ZH8-801	RATCHET GUIDE	1			
7	28441-ZH8-801	FRICTION SPRING	1			
8	28442-ZH8-003	SPRING, RECOIL STARTER	1			
9	28443-ZH8-801	SPRING, RETURN	2			
11	28462-ZH8-003	ROPE, RECOIL STARTER	1			
12	90003-ZH8-801	SET SVREW	1			
13	90008-ZE2-003	BOLT, FLANGE 6X10	3			
14	28461-Z4M-305	KNOB, RECOIL STARTER	1			
15	28463-Z4M-003	KNOB, REINFORCEMENT	1			

GX120UT2-SM12

FAN COVER

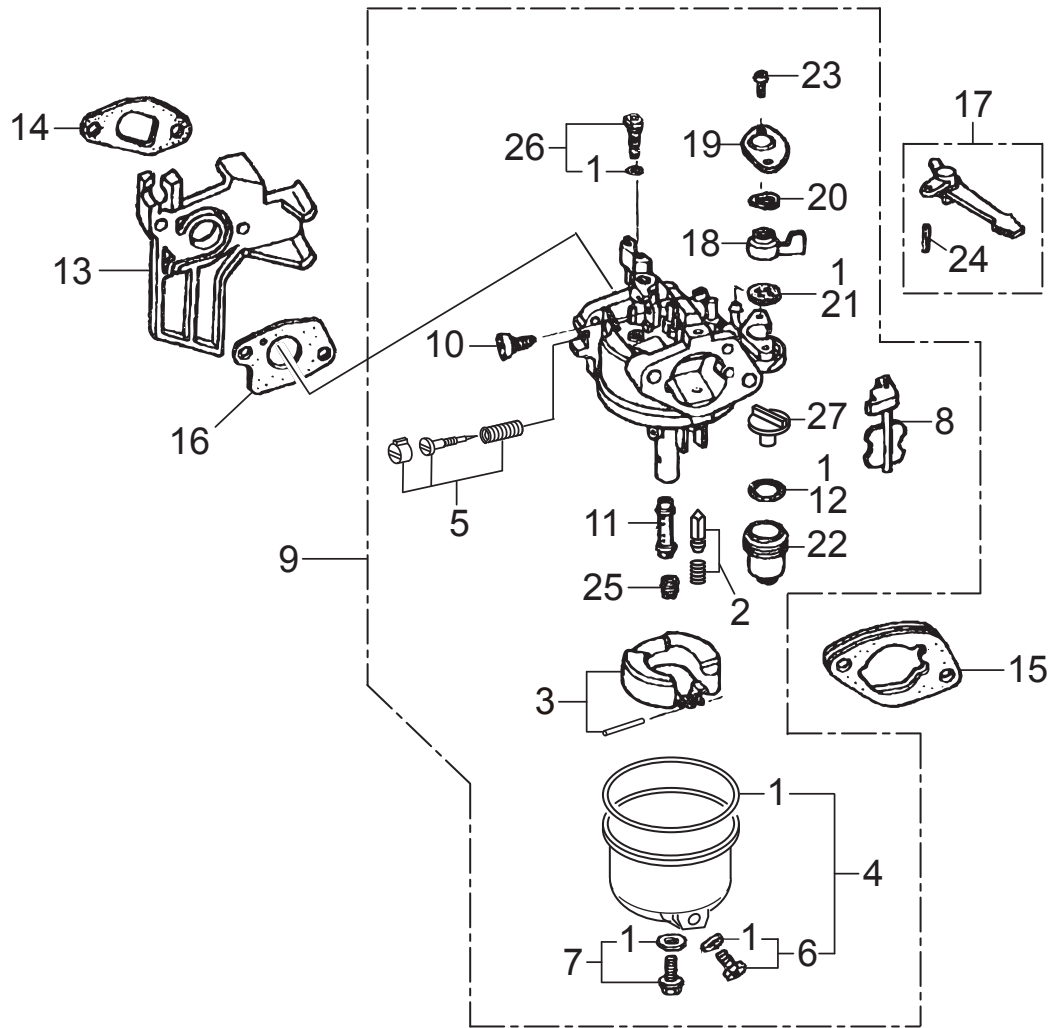
BPL0



REF NO.	PART NO.	PART NAME	Q' TY	MRK	MK2	REMARKS
1	11347-371-300	GROMMET	1			
2	19610ZE0000ZE	FAN COVER CP., BLACK	1			
3	19611-ZH7-810	PLATE COMP., SIDE	1			
7	19630-ZH7-000	SHROUD COMP.	1			
9	34150-ZH7-013	ALERT, UNIT, OIL	1			
11	35120-Z0T-851	SWITCH AY, E/G STOP	1			
13	90013-883-000	FLANGE BOLT 6X12	6			
14	90022-888-010	FLANGE BOLT 6X20	1			
15	90601-ZH7-013	CLIP, HARNESS	1			
16	95701-0600800	FLANGE BOLT 6X8	1			

GX120UT2-SM12 CARBURETOR

BPM0

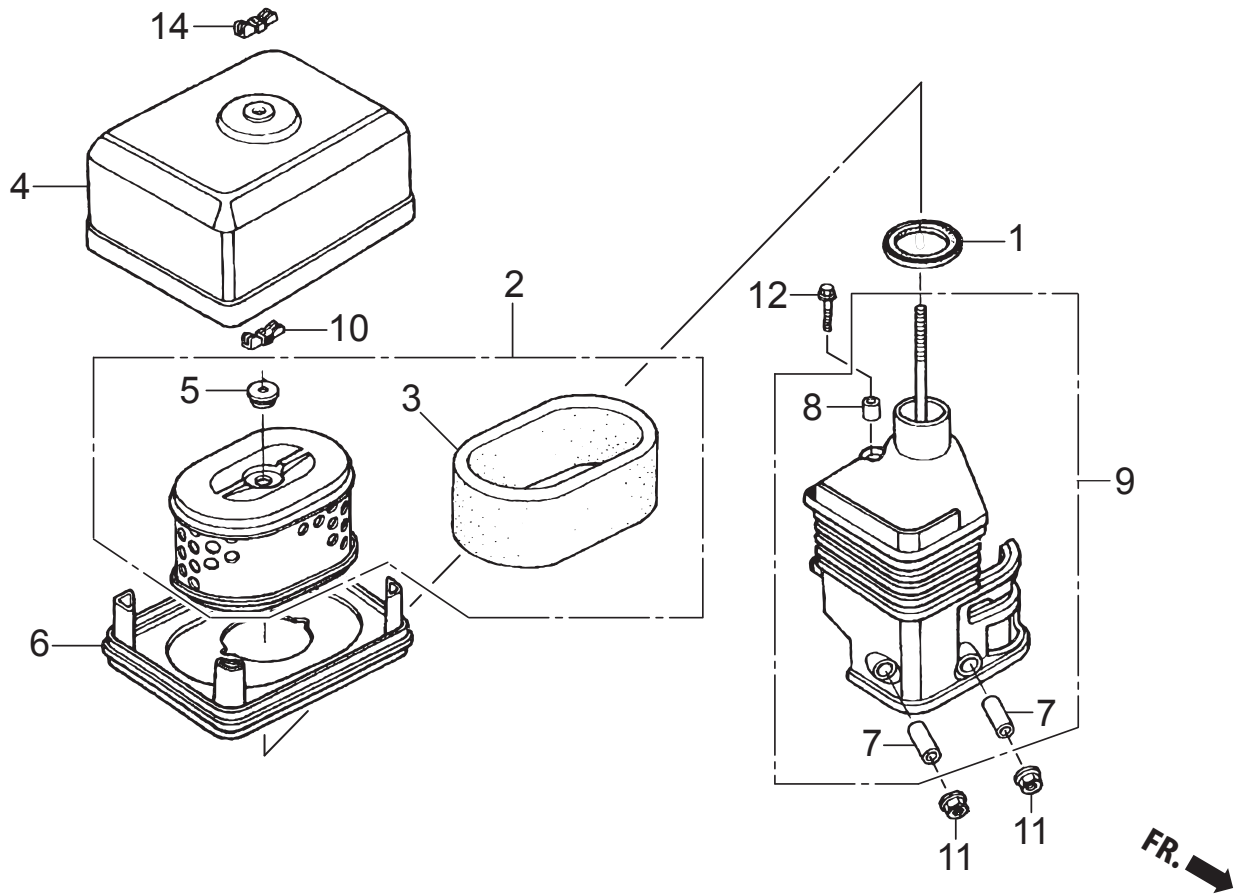


FR. →

GX120UT2-SM12

AIR CLEANER

BPN0

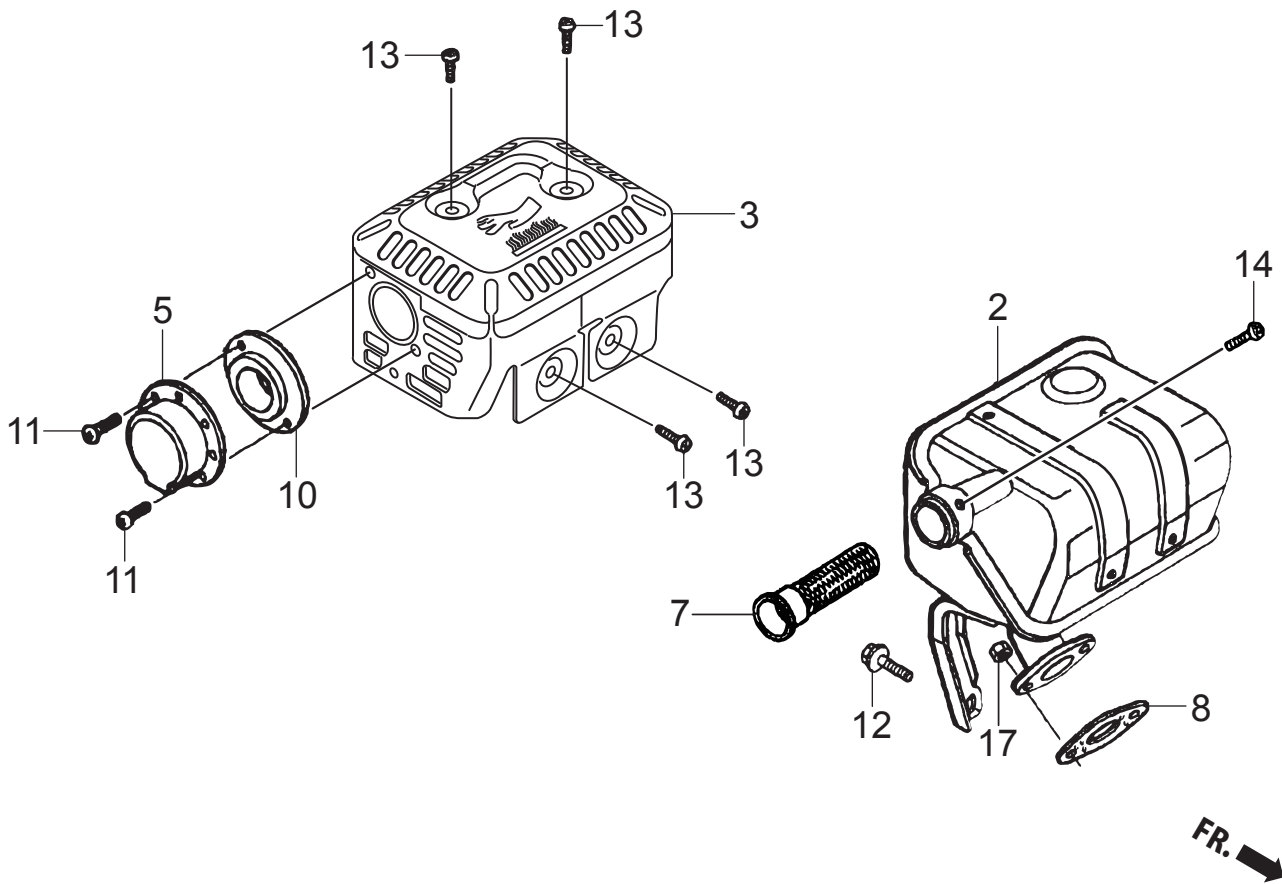


REF NO.	PART NO.	PART NAME	Q' TY	MRK	MK2	REMARKS
1	16271-ZE1-000	PACKING, ELBOW	1			
2	17210-ZE0-505	ELEMENT SET	1			
3	17218-ZE0-505	OUTER ELEMENT	1			
4	17231-Z4H-820	COVER, AIR CLEANER/GX120UT	1			
5	17232-891-000	GROMET, AIR CLEANER	1			
6	17235-Z4M-830	NOSE, SILENCER/GX200T2	1			
7	17238-ZE7-010	COLLAR, AIR CLEANER	2			
8	17239-ZE1-000	COLLAR(B), AIR CLEANER	1			
9	17410-Z4H-000	ELBOW CP, AIR CLEANER/120U	1			
10	90325-044-000	NUT, TOOL BOX SETTING	1			
11	94050-06000	FLANGE NUT 6MM	2			
12	95701-0602000	FLANGE BOLT 6X20	1			
14	90300-Z1V-000	NUT, AIR CLEANER/GX-UT2	1			

GX120UT2-SM12

MUFFLER

BPO0

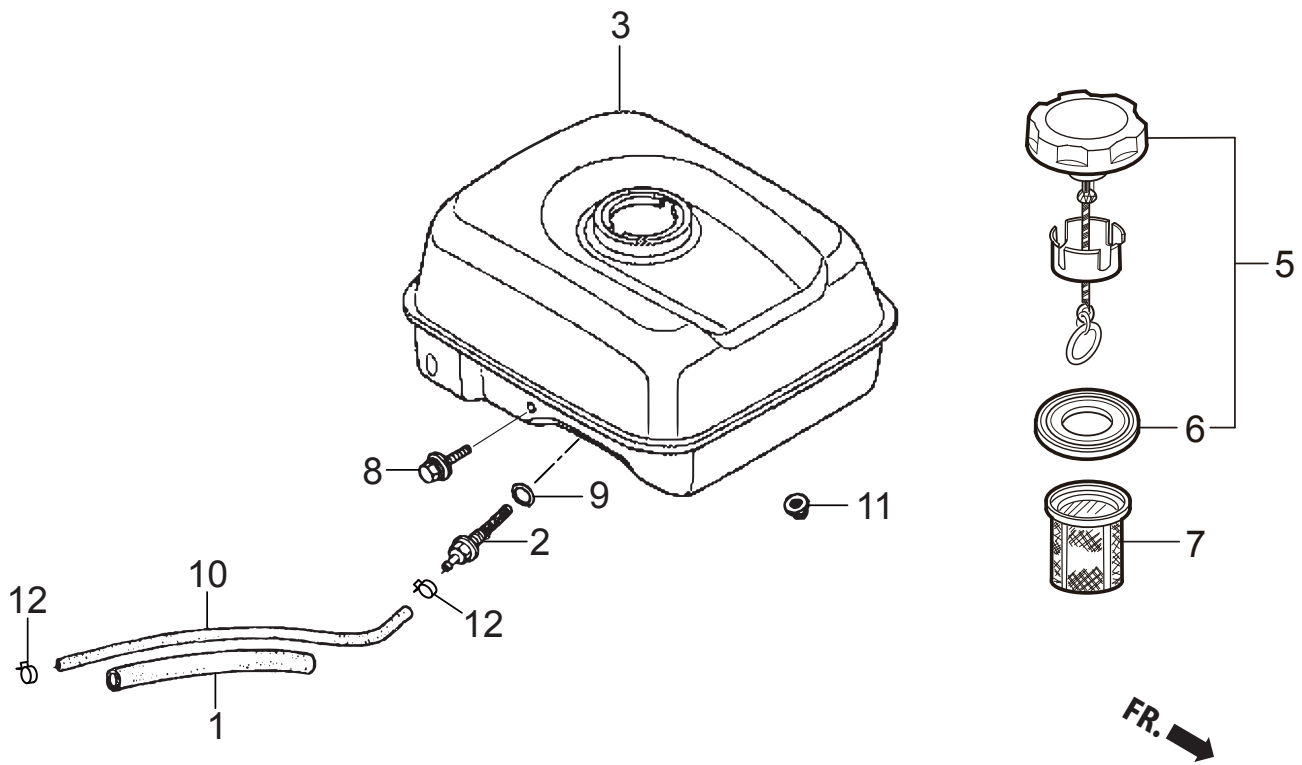


REF NO.	PART NO.	PART NAME	Q' TY	MRK	MK2	REMARKS
2	18310-Z4M-V50	MUFFLER COMP/GX120UT2	1			
3	18320-Z4M-000	PROTECTOR CP, MUFFLER (STD)	1			
5	18340-ZE1-010	DEFLECTOR CP	1			
7	18355-ZE1-000	ARRESTER, SPARK	1			
8	18381-Z0T-801	GASKET, MUFFLER/GX160UT2	1			
10	18522-ZE1-000	GUIDE, MUFFLER	1			
11	90002-Z0T-800	SCREW, TAPPING, 4X8	2			
12	90016-ZE1-000	FLANGE BOLT 6X13	1			
13	90050-ZE1-000	TAPPING SCREW 5X8	4			
14	90055-ZE1-000	TAPPING SCREW 4X6	1			
17	94001-080000S	NUT 8MM	2			

GX120UT2-SM12

FUEL TANK

BPP0

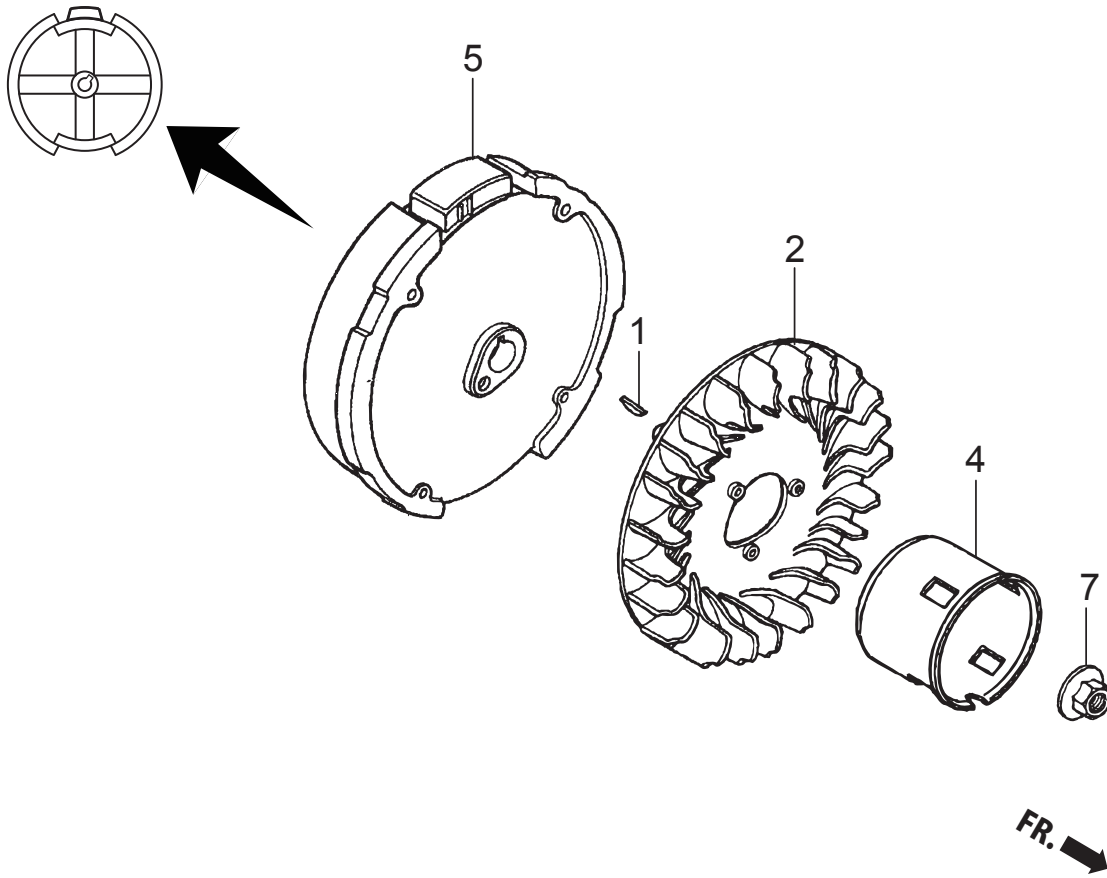


REF NO.	PART NO.	PART NAME	Q' TY	MRK	MK2	REMARKS
1	16854-ZH8-000	RUBBER, SUPPORT (107MM)	1			
2	16955-ZE1-010	JOINT, FUEL TANK	1			
3	17510Z4H000ZB	TANK COMP, FUEL NH1	1			
5	17620-Z4H-020	CAP COMP. , FUEL FILLER	1			
6	17631-Z0T-801	PACKING, FUEL FILLER CAP	1			
7	17672-Z4H-000	FILTER, FUEL	1			
8	90004-ZH7-003	FLANGE BOLT 6X29	1			
9	91353-671-004	O-RING 14MM	1			
10	91424-Z4F-802	TUBE, FUEL 4. 5X140 (FKM)	1			
11	94050-06000	FLANGE NUT 6MM	2			
12	95002-4080008	CLAMP, TUBE (D8)	2			

GX120UT2-SM12

BPQ0

FLYWHEEL

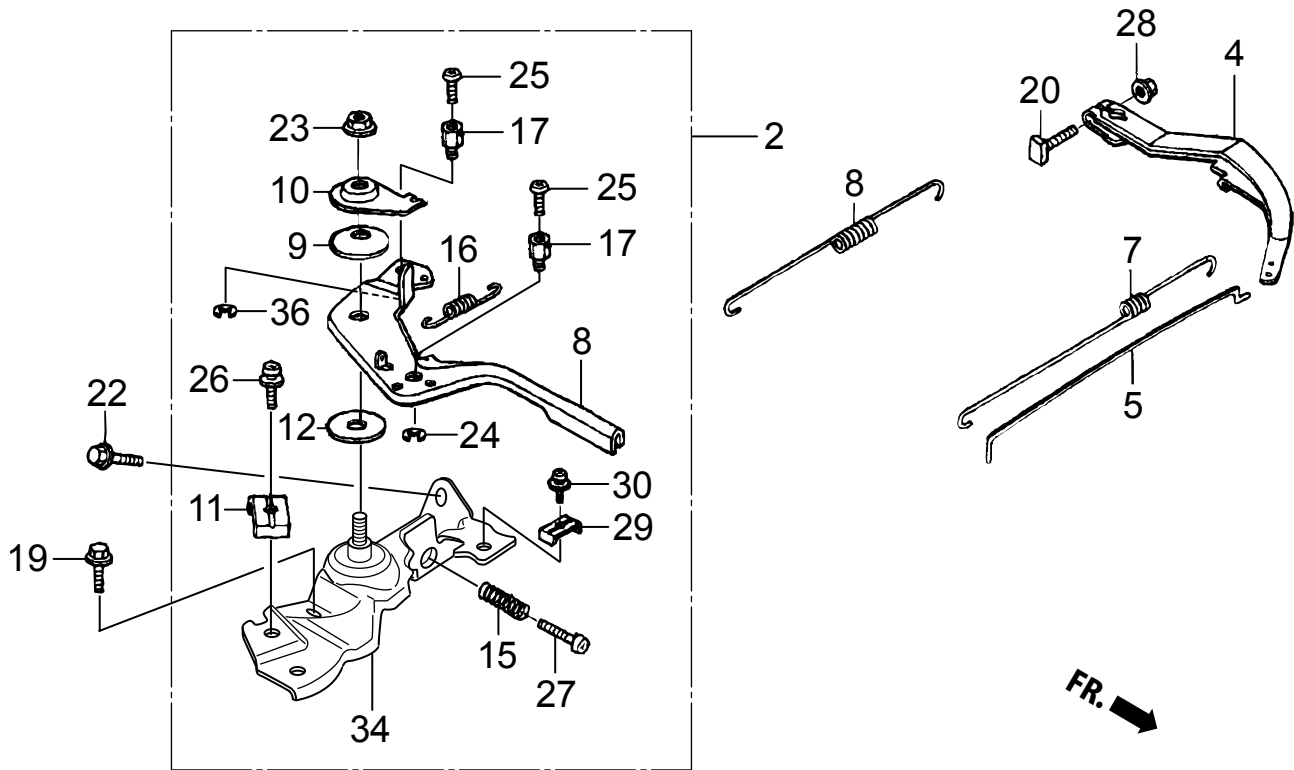


REF NO.	PART NO.	PART NAME	Q' TY	MRK	MK2	REMARKS
1	13331-357-000	WOODRUFF KEY 25X18	1			
2	19511-ZE0-000	COOLING FAN	1			
4	28451-ZH7-801	STARTER PULLEY /GX120	1			
5	31100-ZE0-020		1			
7	90201-Z0T-800	NUT, SPECIAL 14MM	1			

GX120UT2-SM12

CONTROL

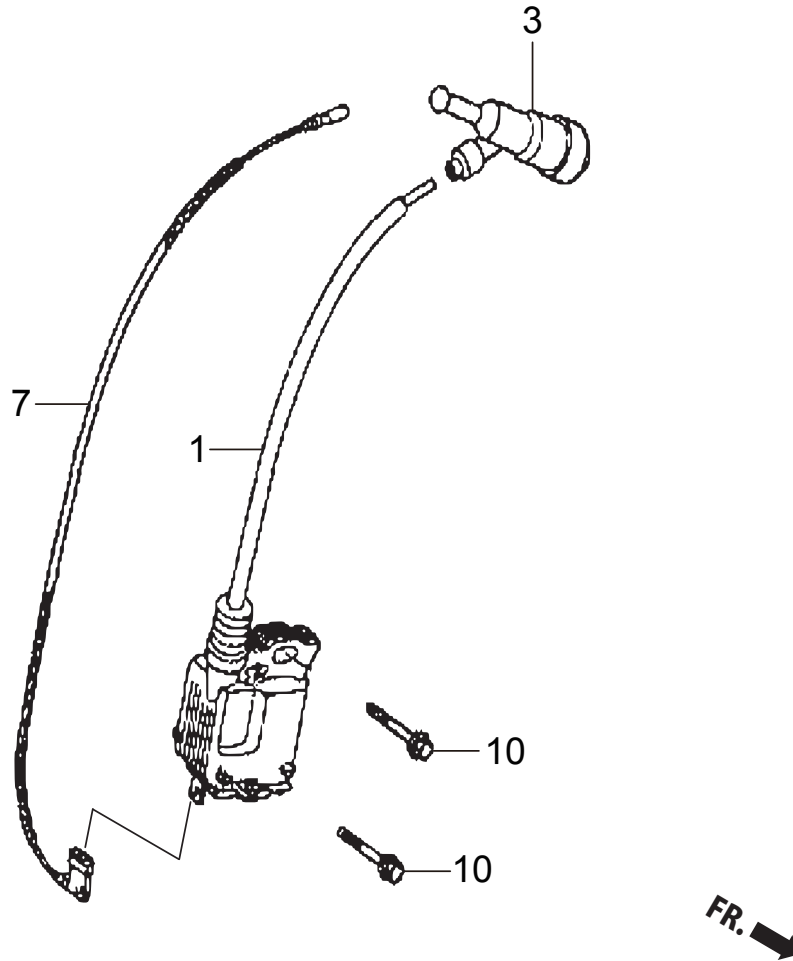
BPT0



GX120UT2-SM12

IGNITION COIL

BPS0

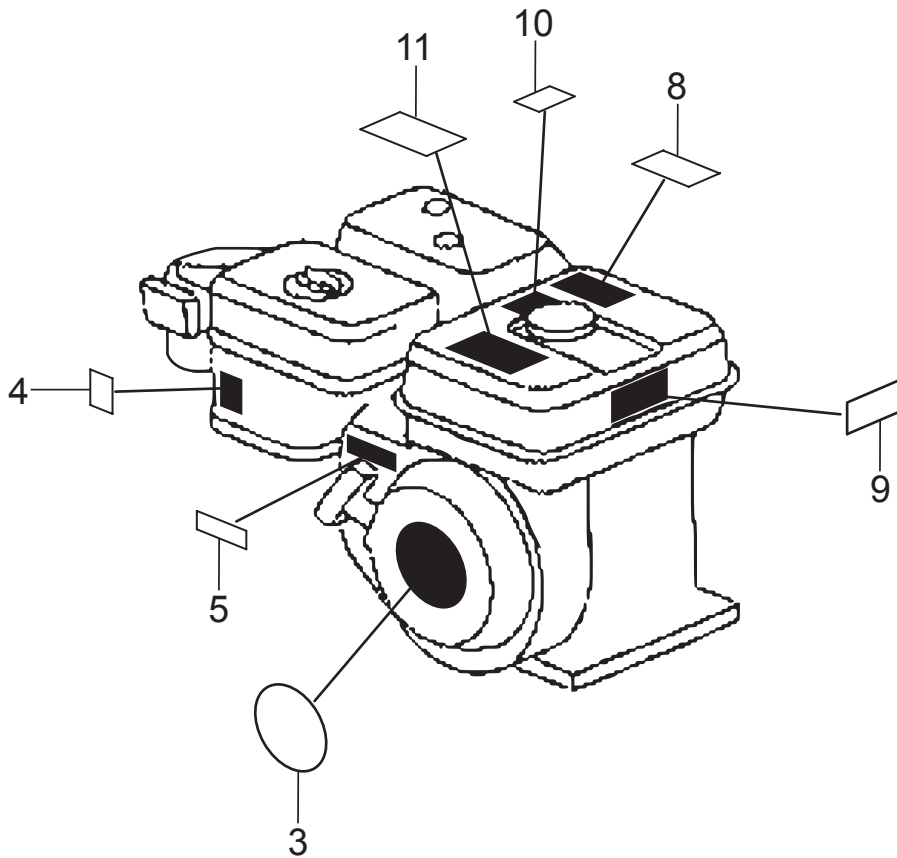


REF NO.	PART NO.	PART NAME	Q' TY	MRK	MK2	REMARKS
1	30500-ZOT-802	COIL AY, IGNITION/GX200T2	1			
3	30700-ZOT-811	CAP ASSY, NOISE SUPPRESSOR	1			
7	36101-ZE1-010	CORD, STOP SWITCH 370MM	1			
10	90121-952-000	FLANGE BOLT 6X25	2			

GX120UT2-SM12

BUR0

LABEL



REF NO.	PART NO.	PART NAME	Q' TY	MRK	MK2	REMARKS
3	87521-Z4H-000	EMBLEM (GX120UT)	1			
4	87528-Z4M-000	MARK, CHOKE/GX160T2	1			
5	87532-ZH7-000	MARK, THROTTLE INDICATION	1			
8	87516-Z4H-801	MARK, OP-CAUTION (FR)	1			
9	87516-Z4H-010	MARK, OP-CAUTION (ENGLISH)	1			
9	87519-Z4H-000	MARK, OP-CAUTION/GX160UT2	1			
10	87539-Z4M-000	MARK, EX. CAUTION (ENGLISH)	1			
10	87539-Z4M-810	MARK, EX. CAUTION (FR)	1			
11	87539-Z4M-800	MARK. EX. CAUTION (PICTOGRAP	1			
15	89216-Z0T-800	WRENCH, SPARK PLUG	1			



MIKASA SANGYO CO., LTD.

HEAD OFFICE

No.4-3, Sarugakucho 1-chome,
Chiyoda-ku, Tokyo, 101-0064,
Japan

<http://www.mikosas.com>