



SPARE PARTS MANUAL

FLX SUBMERSIBLE PUMPS FP212 SERIES FP212G – FP212A – FP212C



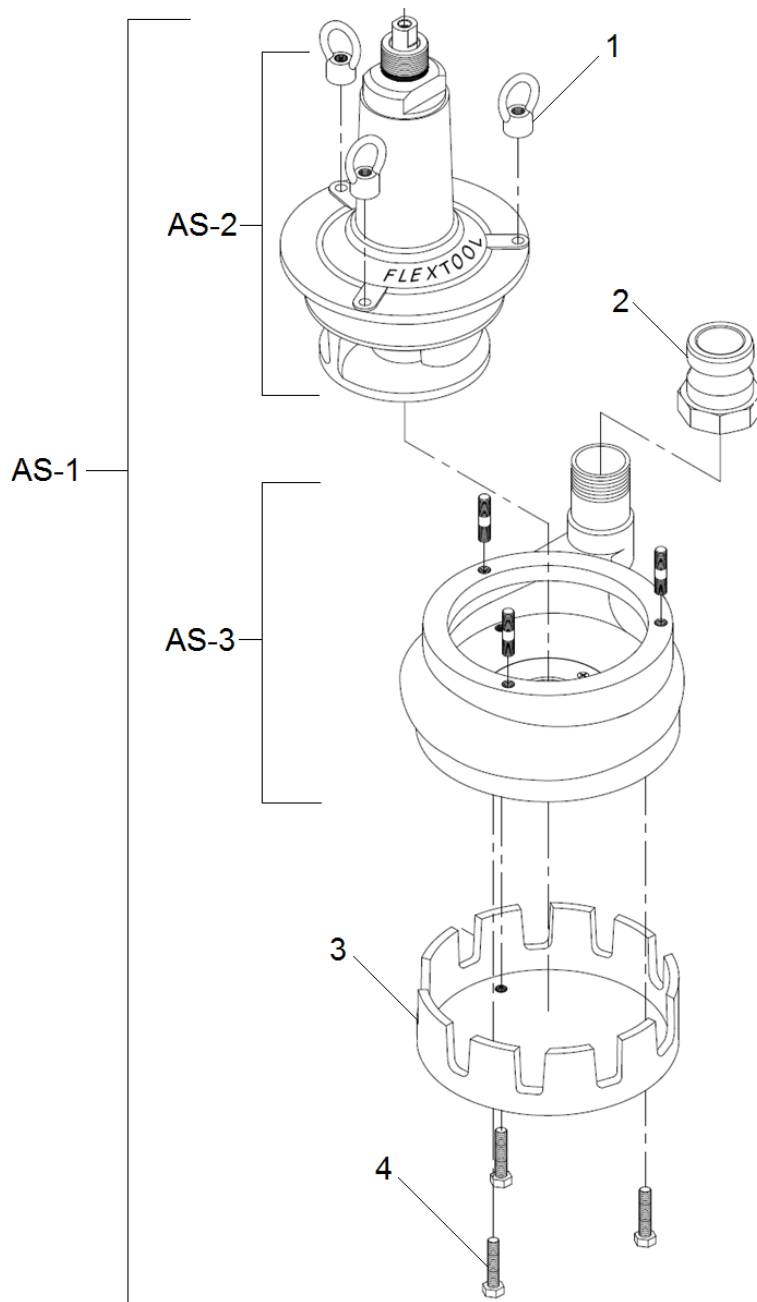
(All Models)

P212G Series – FT201801-UNIT – FT201803-UNIT

P212A Series – FT201805-UNIT – FT201818-UNIT **P212C Series** – FT201817-UNIT

Applies to product from Serial Number D07-10000

Pump Head – Complete Assembly (All Types)



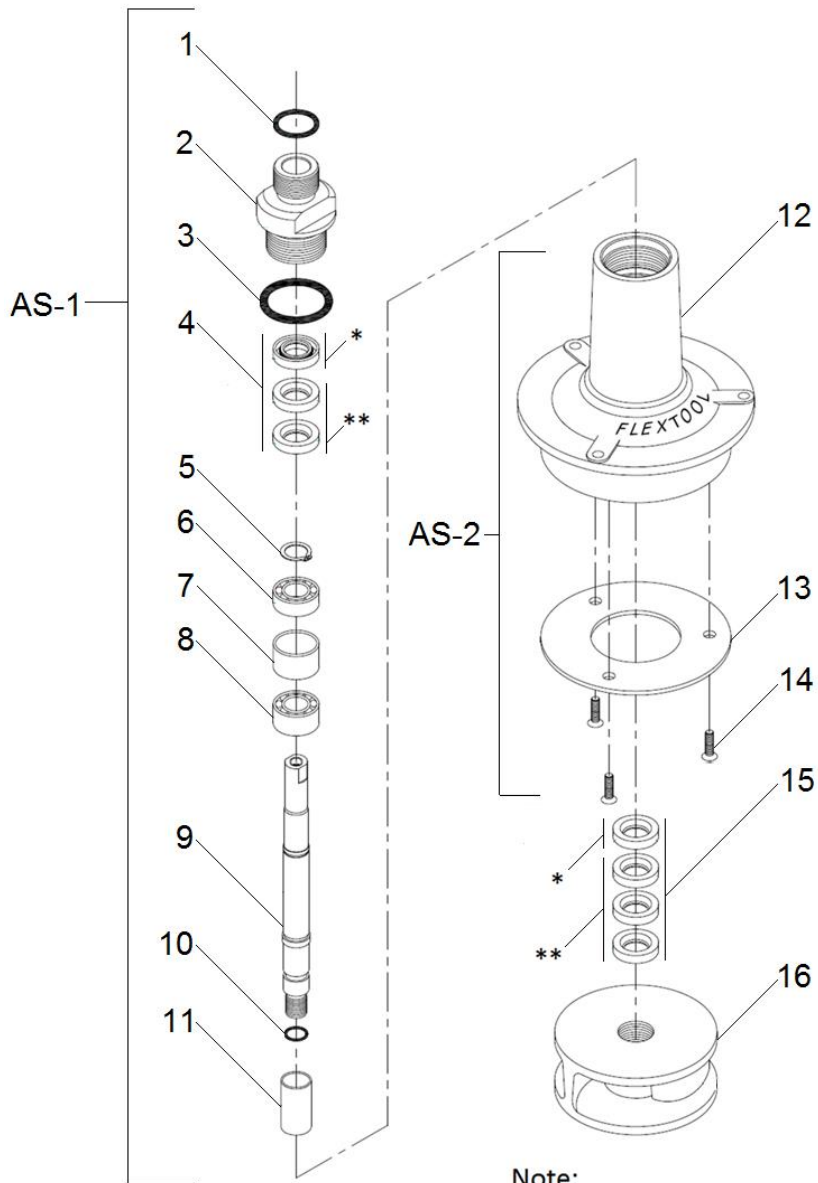
Pump Head (All Types)

Item No.	Product Code	Description	Qty	Remarks
1	NPS06170-UNIT	FLX EYE NUT 0.375" BSW (610510)	3	
2	NPS07469-UNIT	FLX CAMLOCK ADAPTOR 50MM (206308)	1	Suits FP212G & FP212A Only
3	NPS06169-UNIT	FLX STRAINER ALUMINIUM (206311)	1	Suits FP212G & FP212A
	NPS09522-UNIT	FLX STRAINER CAST IRON (206321)	1	Suits FP212C
4	NPS06902-UNIT	FLX BOLT 0.375" BSW x 2.5" (590425)	3	

Assembly / Service Kits - Pumps Head (All Types)

Item No.	Product Code	Description	Qty	Remarks
AS-1	NPS06127-UNIT	FLX ASSY PUMP HEAD GENERAL (206300)	1	Suits FP212G (General Purpose)
	NPS08495-UNIT	FLX ASSY PUMP HEAD ABRAISIVE (206300PA)	1	Suits FP212A (Abrasion Resistant)
	NPS09701-UNIT	FLX ASSY PUMP HEAD CHEMICAL (206300PC)	1	Suits FP212C (Chemical Resistant)
AS-2	NPS08498-UNIT	FLX ASSY PUMP HEAD TOP ALUMINIUM (206390)	1	Suits FP212G & F P212A
	NPS01585-UNIT	FLX ASSY PUMP HEAD TOP CAST IRON (206391)	1	Suits FP212C
AS-3	NPS06255-UNIT	FLX ASSY PUMP BODY ALUMINIUM (206380)	1	Suits FP212G
	NPS08496-UNIT	FLX ASSY PUMP BODY CAST IRON (206381)	1	Suits FP212A & FP212C

Pump Head – Top Assy (All Types)



Note:
 * Seal - Spring faces upwards
 ** Seal - Spring faces downwards

Pump Head – Top Assy (All Types)

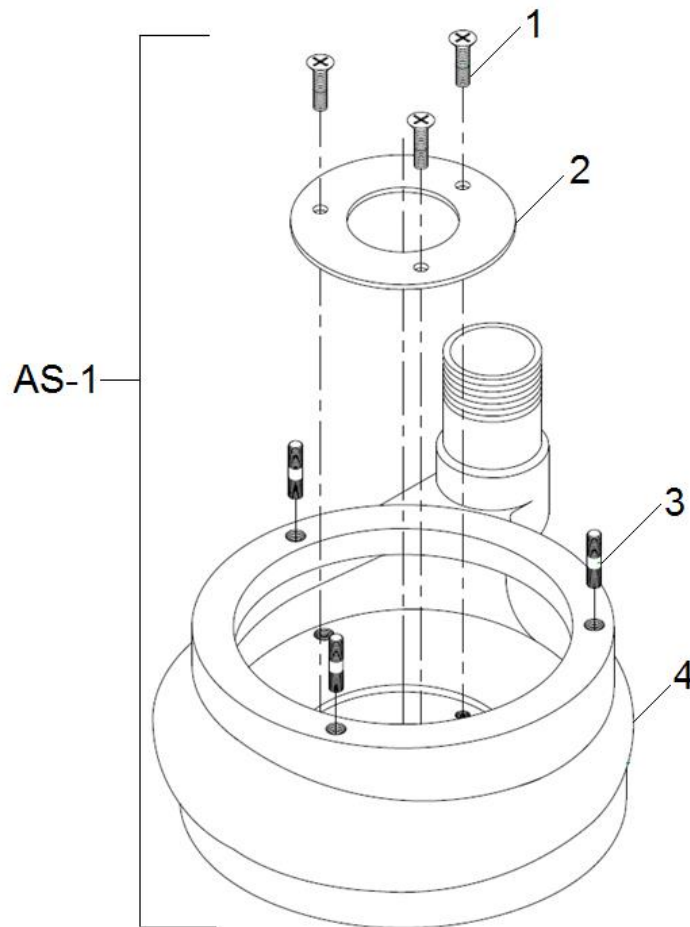
Item No.	Product Code	Description	Qty	Remarks
1	See Remarks	FLX O-RING 1.049" x 0.103" (510433)	1	Use SK-1
2	NPS06131-UNIT	FLX HOUSING ADAPTOR (206301)	1	
3	See Remarks	FLX O-RING 1.687" x 0.139" (510434)	1	Use SK-1
4	See Remarks	FLX SEAL 0.75" x 1.25" x 0.25" (530111)	3	Use SK-1
5	See Remarks	FLX CIRCLIP EXTERNAL 20MM (670211)	1	Use SK-1
6	See Remarks	FLX BEARING NSK 6204 (550501)	1	Use SK-1
7	See Remarks	FLX SPACER (206302)	1	Use SK-1
8	See Remarks	FLX BEARING NACHI 5204 (550559)	1	Use SK-1
9	NPS08489-UNIT	FLX SPINDLE (206303)	1	
10	See Remarks	FLX O-RING 0.626" x 0.103" (510435)	1	Use SK-1
11	See Remarks	FLX SLEEVE (206304)	1	Use SK-1
12	See Remarks	FLX HOUSING ALUMINIUM (206305)	1	Use AS-2 (Suits FP212G & FP212A)
	See Remarks	FLX HOUSING CAST IRON (206315)	1	Use AS-2 (Suits P212C)
13	See Remarks	FLX WEAR PLATE (206306)	1	Use AS-2
14	See Remarks	FLX SCREW CSK M6X12 (633509)	3	Use AS-2
15	See Remarks	FLX SEAL 1" x 1.625" x 0.375" (530510)	4	Use SK-1
16	NPS06476-UNIT	FLX IMPELLER CAST IRON (206307)	1	

Assembly / Service Kits - Pumps Head Top Assy (All Types)

Item No.	Product Code	Description	Qty	Remarks
AS-1	NPS08498-UNIT	FLX ASSY PUMP HEAD TOP ALUMINIUM (206390)	1	Suits FP212G & FP212A
	NPS01585-UNIT	FLX ASSY PUMP HEAD TOP CAST IRON (206391)	1	Suits FP212C
AS-2	NPS06128-UNIT	FLX ASSY HOUSING ALUMINIUM (206392)	1	Suits FP212G & FP212A Inc Items: 12 - 14
	NPS02229-UNIT	FLX ASSY HOUSING CAST IRON (206393)	1	Suit: P212C Inc Items: 12 - 14

SK-1	NPS08541-UNIT	FLX SERVICE KIT PUMP HEAD (206946SK)	1	Inc Items: 1, 3 - 8, 10, 11, 15
------	---------------	--------------------------------------	---	---------------------------------

Pump Head – Body Assy (All Types)

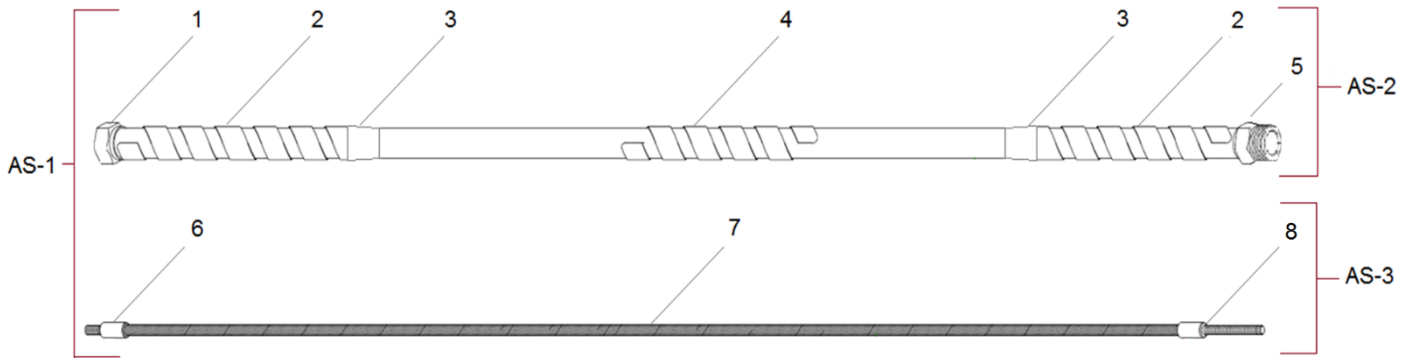


Pump Head – Body Assy (All Types)

Item No.	Product Code	Description	Qty	Remarks
1	See Remarks	FLX SCREW CSK M6X12 (633509)	3	Use AS-1 Not used on Cast Iron Pump Body
2	See Remarks	FLX WEAR PLATE (206309)	1	Use AS-1 Not used on Cast Iron Pump Body
3	NPS06303-UNIT	FLX STUD SS 0.375" BSW x 1.7" (590392)	3	
4	See Remarks	FLX BODY HOUSING ALUMINIUM (206310)	1	Use AS-1 (Suits FP212G)
	See Remarks	FLX BODY HOUSING CAST IRON (206320)	1	Use AS-1 (Suits P212A & P212)

Assembly / Service Kits - Pumps Head Body Assy (All Types)

Item No.	Product Code	Description	Qty	Remarks
AS-1	NPS06255-UNIT	FLX ASSY PUMP BODY ALUMINIUM (206380)	1	Suits all FP212G
	NPS08496-UNIT	FLX ASSY PUMP BODY CAST IRON (206381)	1	Suits all FP212A & FP212C



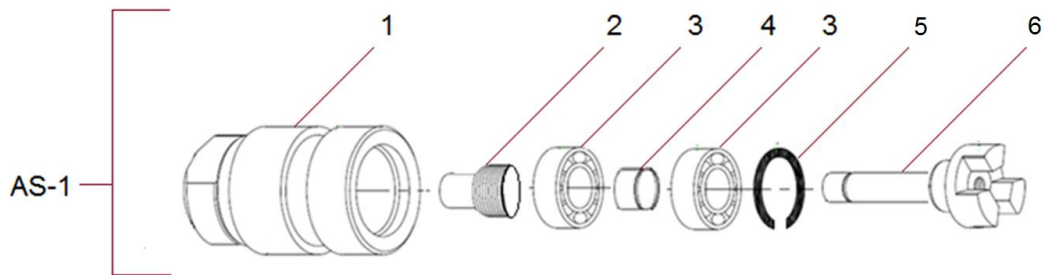
Flexshaft (All Types)

Item No.	Product Code	Description	Qty	Remarks
1	See Remarks	FLX FERRULE PUMP END 32MM (206103)	1	Use AS-1 or AS-2
	See Remarks	FLX FERRULE PUMP END 38MM (206108)	1	Use AS-1 or AS-2
2	See Remarks	FLX END SUPPORT SPRING 32MM (206102)	2	Use AS-1 or AS-2
	See Remarks	FLX END SUPPORT SPRING 38MM (206105)	2	Use AS-1 or AS-2
3	See Remarks	FLX COLLAR 32MM (340303)	2	Use AS-1 or AS-2
	See Remarks	FLX COLLAR 38MM (206112)	2	Use AS-1 or AS-2
4	See Remarks	FLX MIDDLE SUPPORT SPRING 32MM (206111)	1	Use AS-1 or AS-2
	See Remarks	FLX MIDDLE SUPPORT SPRING 38MM (206106)	1	Use AS-1 or AS-2
5	See Remarks	FLX FERRULE COUPLING END 32MM (310315)	1	Use AS-1 or AS-2
	See Remarks	FLX FERRULE COUPLING END 38MM (206104)	1	Use AS-1 or AS-2
6	See Remarks	FLX CORE END SCREW 13MM (206101)	1	Use AS-1 or AS-3
	See Remarks	FLX CORE END SCREW 15MM (206107)	1	Use AS-1 or AS-3
7	See Remarks	FLX INNER CORE 6M X 13MM (810124)	1	Use AS-1 or AS-3
	See Remarks	FLX INNER CORE 9M X 13MM (810155)	1	Use AS-1 or AS-3
	See Remarks	FLX INNER CORE 6M X 15MM (810180)	1	Use AS-1 or AS-3
	See Remarks	FLX INNER CORE 9M X 15MM (810183)	1	Use AS-1 or AS-3
8	See Remarks	FLX CORE END HEX 13MM (049210)	1	Use AS-1 or AS-3
	See Remarks	FLX CORE END HEX 15MM (053270)	1	Use AS-1 or AS-3

Assembly / Service Kits - Flexshaft (All Types)

Item No.	Product Code	Description	Qty	Remarks
AS-1	NPS01590-UNIT	FLX FLEXSHAFT ASSY 6M x 32MM (206946GZ)	1	Suits FP212G 6m long x 32mm casing diameter Inc Items: AS-2 & AS-3
	NPS01593-UNIT	FLX FLEXSHAFT ASSY 9M x 32MM (206949GZ)	1	Suits FP212G 9m long x 32mm casing diameter Inc Items: AS-2 & AS-3
	NPS01592-UNIT	FLX FLEXSHAFT ASSY 6M x 38MM (206946CGZ)	1	Suits FP212A & FP212C 6m long x 38mm casing diameter Inc Items: AS-2 & AS-3
	NPS01594-UNIT	FLX FLEXSHAFT ASSY 9M x 38MM (206949CGZ)	1	Suits FP212A & FP212C 9m long x 38mm casing diameter Inc Items: AS-2 & AS-3
AS-2	NPS01586-UNIT	FLX CASING ASSY 6M x 32MM (206946G)	1	Suits FP212G 6m long x 32mm casing diameter Inc Items: 1 - 5
	NPS01588-UNIT	FLX CASING ASSY 9m x 32MM (206949G)	1	Suits FP212G 9m long x 32mm casing diameter Inc Items: 1 - 5
	NPS01587-UNIT	FLX CASING ASSY 6M x 38MM (206946CG)	1	Suits FP212A & FP212C 6m long x 38mm casing diameter Inc Items: 1 - 5
	NPS01589-UNIT	FLX CASING ASSY 9M x 38MM (206949CG)	1	Suits FP212A & FP212C 9m long x 38mm casing diameter Inc Items: 1 - 5
AS-3	NPS01595-UNIT	FLX INNER CORE ASSY 6M x 13MM (206946Z)	1	Suits FP212G 6m long x 13mm core diameter Inc Items: 6 - 8
	NPS01598-UNIT	FLX INNER CORE ASSY 9M x 13MM (206949Z)	1	Suits FP212G 9m long x 13 mm core diameter Inc Items: 6 - 8
	NPS01596-UNIT	FLX INNER CORE ASSY 6M x 15MM (206946CZ)	1	Suits FP212A & FP212C 6m long x 15mm core diameter Inc Items: 6 - 8
	NPS01600-UNIT	FLX INNER CORE ASSY 9M x 15MM (206949CZ)	1	Suits FP212A & FP212C 9m long x 15mm core diameter Inc Items: 6 - 8

Coupling Assy (All Types)



Coupling (All Types)

Item No.	Product Code	Description	Qty	Remarks
1	See Remarks	FLX BEARING HOUSING (360421)	1	Use AS-1
2	See Remarks	FLX HEX ADAPTOR (046310)	1	Use SK-1
3	See Remarks	FLX BEARING (550102)	2	Use SK-1
4	See Remarks	FLX SPACER (046330)	1	Use SK-1
5	See Remarks	FLX CIRCLIP (670105)	1	Use SK-1
6	See Remarks	FLX SPINDLE 3-TEETH (360422)	1	Use AS-1

Coupling (All Types) Assembly / Service Kits

Item No.	Product Code	Description	Qty	Remarks
AS-1	NPS01575-UNIT	FLX COUPLING ASSY (360420)	1	Inc Items: 1 - 6

SK-1	NPS01576-UNIT	FLX SERVICE KIT COUPLING ASSY(360420SK)	1	Inc Items: 2 - 5
------	---------------	---	---	------------------

